

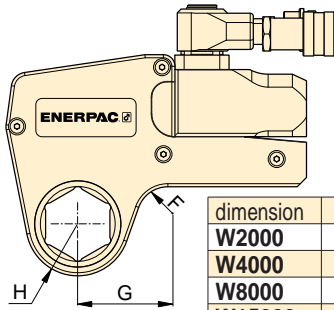
# Imperial Hexagon Cassettes and Reducer Inserts



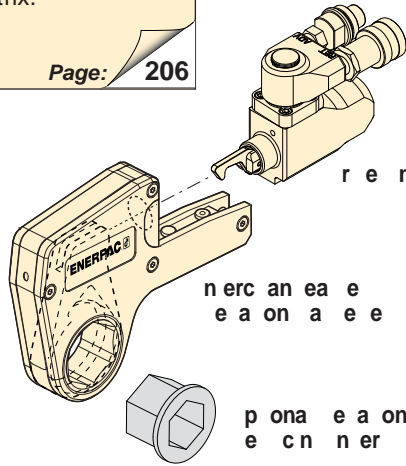
## Torque Wrench Pump Selection Matrix

For optimum speed and performance see the torque wrench and pump matrix.

Page: 206



dimension	F
W2000	20
W4000	20
W8000	25
W15000	20



## W Series



Maximum Torque at 700 bar 10.000 psi:  
**20.337 Nm/15.000 Ft.lbs**

Hexagon Range:  
**1<sup>1</sup>/<sub>4</sub> - 4<sup>5</sup>/<sub>8</sub> inch**

Maximum Operating Pressure:  
**700 bar / 10.000 psi**

### SELECTION CHART

Drive Unit Model Nr.	HEXAGON CASSETTES INCHES					Hexagon Reducer Size (inch)		Hexagon Reducer Insert Model Nr.		Hexagon Reducer Size (inch)		Hexagon Reducer Insert Model Nr.	
	Hexagon Size (inch)	Nose Radius H (mm)	Model Number	G (mm)	(kg)	Hexagon Reducer Size (inch)	Hexagon Reducer Insert Model Nr.	Hexagon Reducer Size (inch)	Hexagon Reducer Insert Model Nr.	Hexagon Reducer Size (inch)	Hexagon Reducer Insert Model Nr.		
W2000 (2712Nm)	17/16	31,0	W2107	53,7	1,9	-	-	-	-	-	-	-	
	1 <sup>1</sup> / <sub>2</sub>	33,5	W2108	58,2	2,0	-	-	-	-	-	-	-	
	1 <sup>5</sup> / <sub>8</sub>	33,5	W2110	58,2	2,0	1 <sup>5</sup> / <sub>8</sub> - 1 <sup>7</sup> / <sub>16</sub>	W2110R107	1 <sup>5</sup> / <sub>8</sub> - 1 <sup>1</sup> / <sub>4</sub>	W2110R104	-	-	-	
	1 <sup>13</sup> / <sub>16</sub>	36,5	W2113	60,5	2,0	1 <sup>13</sup> / <sub>16</sub> - 1 <sup>5</sup> / <sub>8</sub>	W2113R110	1 <sup>13</sup> / <sub>16</sub> - 1 <sup>7</sup> / <sub>16</sub>	W2113R107	1 <sup>13</sup> / <sub>16</sub> - 1 <sup>1</sup> / <sub>4</sub>	W2113R104	-	
	2	39,0	W2200	63,1	2,0	2 - 1 <sup>13</sup> / <sub>16</sub>	W2200R113	2 - 1 <sup>5</sup> / <sub>8</sub>	W2200R110	2 - 1 <sup>7</sup> / <sub>16</sub>	W2200R107	-	
	2 <sup>3</sup> / <sub>16</sub>	41,8	W2203	68,6	2,1	2 <sup>3</sup> / <sub>16</sub> - 2	W2203R200	2 <sup>3</sup> / <sub>16</sub> - 1 <sup>13</sup> / <sub>16</sub>	W2203R113	2 <sup>3</sup> / <sub>16</sub> - 1 <sup>5</sup> / <sub>8</sub>	W2203R110	-	
	2 <sup>3</sup> / <sub>8</sub>	44,5	W2206	64,8	2,2	2 <sup>3</sup> / <sub>8</sub> - 2 <sup>3</sup> / <sub>16</sub>	W2206R203	2 <sup>3</sup> / <sub>8</sub> - 2	W2206R200	2 <sup>3</sup> / <sub>8</sub> - 1 <sup>13</sup> / <sub>16</sub>	W2206R113	-	
W4000 (5423Nm)	2 <sup>3</sup> / <sub>16</sub>	44,0	W4203	73,4	3,8	2 <sup>3</sup> / <sub>16</sub> - 2	W4203R200	2 <sup>3</sup> / <sub>16</sub> - 1 <sup>13</sup> / <sub>16</sub>	W4203R113	2 <sup>3</sup> / <sub>16</sub> - 1 <sup>5</sup> / <sub>8</sub>	W4203R110	-	
	2 <sup>3</sup> / <sub>8</sub>	46,5	W4206	70,6	3,9	2 <sup>3</sup> / <sub>8</sub> - 2 <sup>3</sup> / <sub>16</sub>	W4206R203	2 <sup>3</sup> / <sub>8</sub> - 2	W4206R200	2 <sup>3</sup> / <sub>8</sub> - 1 <sup>13</sup> / <sub>16</sub>	W4206R113	-	
	2 <sup>1</sup> / <sub>2</sub>	49,5	W4208	76,2	3,9	2 <sup>1</sup> / <sub>2</sub> - 2 <sup>3</sup> / <sub>16</sub>	W4208R203	2 <sup>1</sup> / <sub>2</sub> - 2	W4208R200	2 <sup>1</sup> / <sub>2</sub> - 1 <sup>13</sup> / <sub>16</sub>	W4208R113	-	
	2 <sup>9</sup> / <sub>16</sub>	49,5	W4209	76,2	3,9	2 <sup>9</sup> / <sub>16</sub> - 2 <sup>3</sup> / <sub>8</sub>	W4209R206	2 <sup>9</sup> / <sub>16</sub> - 2 <sup>3</sup> / <sub>16</sub>	W4209R203	2 <sup>9</sup> / <sub>16</sub> - 2	W4209R200	-	
	2 <sup>3</sup> / <sub>4</sub>	52,5	W4212	78,3	4,0	2 <sup>3</sup> / <sub>4</sub> - 2 <sup>9</sup> / <sub>16</sub>	W4212R209	2 <sup>3</sup> / <sub>4</sub> - 2 <sup>3</sup> / <sub>8</sub>	W4212R206	2 <sup>3</sup> / <sub>4</sub> - 2 <sup>3</sup> / <sub>16</sub>	W4212R203	-	
	2 <sup>15</sup> / <sub>16</sub>	55,5	W4215	81,6	4,1	2 <sup>15</sup> / <sub>16</sub> - 2 <sup>3</sup> / <sub>4</sub>	W4215R212	2 <sup>15</sup> / <sub>16</sub> - 2 <sup>9</sup> / <sub>16</sub>	W4215R209	2 <sup>15</sup> / <sub>16</sub> - 2 <sup>3</sup> / <sub>8</sub>	W4215R206	-	
	3 <sup>1</sup> / <sub>8</sub>	58,5	W4302	83,5	4,2	3 <sup>1</sup> / <sub>8</sub> - 2 <sup>15</sup> / <sub>16</sub>	W4302R215	3 <sup>1</sup> / <sub>8</sub> - 2 <sup>3</sup> / <sub>4</sub>	W4302R212	3 <sup>1</sup> / <sub>8</sub> - 2 <sup>9</sup> / <sub>16</sub>	W4302R209	-	
W8000 (10.846Nm)	2 <sup>9</sup> / <sub>16</sub>	56,0	W8209	84,8	7,8	2 <sup>9</sup> / <sub>16</sub> - 2 <sup>3</sup> / <sub>8</sub>	W8209R206	2 <sup>9</sup> / <sub>16</sub> - 2 <sup>3</sup> / <sub>16</sub>	W8209R203	2 <sup>9</sup> / <sub>16</sub> - 2	W8209R200	-	
	2 <sup>3</sup> / <sub>4</sub>	56,0	W8212	84,8	7,8	2 <sup>3</sup> / <sub>4</sub> - 2 <sup>9</sup> / <sub>16</sub>	W8212R209	2 <sup>3</sup> / <sub>4</sub> - 2 <sup>3</sup> / <sub>8</sub>	W8212R206	2 <sup>3</sup> / <sub>4</sub> - 2 <sup>3</sup> / <sub>16</sub>	W8212R203	-	
	2 <sup>15</sup> / <sub>16</sub>	58,0	W8215	85,0	7,8	2 <sup>15</sup> / <sub>16</sub> - 2 <sup>3</sup> / <sub>4</sub>	W8215R212	2 <sup>15</sup> / <sub>16</sub> - 2 <sup>9</sup> / <sub>16</sub>	W8215R209	2 <sup>15</sup> / <sub>16</sub> - 2 <sup>3</sup> / <sub>8</sub>	W8215R206	-	
	3 <sup>1</sup> / <sub>8</sub>	60,5	W8302	89,5	7,9	3 <sup>1</sup> / <sub>8</sub> - 2 <sup>15</sup> / <sub>16</sub>	W8302R215	3 <sup>1</sup> / <sub>8</sub> - 2 <sup>3</sup> / <sub>4</sub>	W8302R212	3 <sup>1</sup> / <sub>8</sub> - 2 <sup>9</sup> / <sub>16</sub>	W8302R209	-	
	3 <sup>1</sup> / <sub>2</sub>	66,0	W8308	92,2	8,1	3 <sup>1</sup> / <sub>2</sub> - 3 <sup>1</sup> / <sub>8</sub>	W8308R302	3 <sup>1</sup> / <sub>2</sub> - 2 <sup>15</sup> / <sub>16</sub>	W8308R215	3 <sup>1</sup> / <sub>2</sub> - 2 <sup>3</sup> / <sub>4</sub>	W8308R212	-	
	3 <sup>3</sup> / <sub>4</sub>	74,0	W8312	102,9	8,7	3 <sup>3</sup> / <sub>4</sub> - 3 <sup>1</sup> / <sub>2</sub>	W8312R308	3 <sup>3</sup> / <sub>4</sub> - 3 <sup>1</sup> / <sub>8</sub>	W8312R302	3 <sup>3</sup> / <sub>4</sub> - 2 <sup>15</sup> / <sub>16</sub>	W8312R215	-	
	3 <sup>7</sup> / <sub>8</sub>	74,0	W8314	102,9	8,8	3 <sup>7</sup> / <sub>8</sub> - 3 <sup>1</sup> / <sub>2</sub>	W8314R308	3 <sup>7</sup> / <sub>8</sub> - 3 <sup>1</sup> / <sub>8</sub>	W8314R302	3 <sup>7</sup> / <sub>8</sub> - 2 <sup>15</sup> / <sub>16</sub>	W8314R215	-	
W15000 (20.337Nm)	3 <sup>1</sup> / <sub>8</sub>	64,5	W15302	92,9	13,7	3 <sup>1</sup> / <sub>8</sub> - 2 <sup>15</sup> / <sub>16</sub>	W15302R215	3 <sup>1</sup> / <sub>8</sub> - 2 <sup>3</sup> / <sub>4</sub>	W15302R212	3 <sup>1</sup> / <sub>8</sub> - 2 <sup>9</sup> / <sub>16</sub>	W15302R209	-	
	3 <sup>1</sup> / <sub>2</sub>	69,5	W15308	96,6	14,0	3 <sup>1</sup> / <sub>2</sub> - 3 <sup>1</sup> / <sub>8</sub>	W15308R302	3 <sup>1</sup> / <sub>2</sub> - 2 <sup>15</sup> / <sub>16</sub>	W15308R215	3 <sup>1</sup> / <sub>2</sub> - 2 <sup>3</sup> / <sub>4</sub>	W15308R212	-	
	3 <sup>3</sup> / <sub>4</sub>	75,0	W15312	101,8	14,5	3 <sup>3</sup> / <sub>4</sub> - 3 <sup>1</sup> / <sub>2</sub>	W15312R308	3 <sup>3</sup> / <sub>4</sub> - 3 <sup>1</sup> / <sub>8</sub>	W15312R302	3 <sup>3</sup> / <sub>4</sub> - 2 <sup>15</sup> / <sub>16</sub>	W15312R215	-	
	3 <sup>7</sup> / <sub>8</sub>	75,0	W15314	101,8	14,5	3 <sup>7</sup> / <sub>8</sub> - 3 <sup>1</sup> / <sub>2</sub>	W15314R308	3 <sup>7</sup> / <sub>8</sub> - 3 <sup>1</sup> / <sub>8</sub>	W15314R302	3 <sup>7</sup> / <sub>8</sub> - 2 <sup>15</sup> / <sub>16</sub>	W15314R215	-	
	4 <sup>1</sup> / <sub>8</sub>	80,5	W15402	103,1	14,7	4 <sup>1</sup> / <sub>8</sub> - 3 <sup>7</sup> / <sub>8</sub>	W15402R314	4 <sup>1</sup> / <sub>8</sub> - 3 <sup>3</sup> / <sub>4</sub>	W15402R312	4 <sup>1</sup> / <sub>8</sub> - 3 <sup>1</sup> / <sub>2</sub>	W15402R308	-	
	4 <sup>1</sup> / <sub>4</sub>	80,5	W15404	103,1	14,7	4 <sup>1</sup> / <sub>4</sub> - 3 <sup>7</sup> / <sub>8</sub>	W15404R314	4 <sup>1</sup> / <sub>4</sub> - 3 <sup>1</sup> / <sub>2</sub>	W15404R308	4 <sup>1</sup> / <sub>4</sub> - 3 <sup>1</sup> / <sub>8</sub>	W15404R302	-	
	4 <sup>5</sup> / <sub>8</sub>	87,5	W15410I	114,8	15,3	4 <sup>5</sup> / <sub>8</sub> - 4 <sup>1</sup> / <sub>4</sub>	W15410R404	4 <sup>5</sup> / <sub>8</sub> - 3 <sup>7</sup> / <sub>8</sub>	W15410R314	4 <sup>5</sup> / <sub>8</sub> - 3 <sup>1</sup> / <sub>2</sub>	W15410R308	-	

1) Additional Reducer Insert is hexagon size 2<sup>15</sup>/<sub>16</sub> - 2<sup>3</sup>/<sub>16</sub> inch, Modelnr. W4215R203, fits in W4215 hexagon cassette.

2) Additional Reducer Insert is hexagon size 2<sup>15</sup>/<sub>16</sub> - 2<sup>3</sup>/<sub>16</sub> inch Modelnr. W8215R203, fits in W8215 hexagon cassette.

3) Additional Reducer Insert is hexagon size 3<sup>3</sup>/<sub>4</sub> - 2<sup>3</sup>/<sub>4</sub> inch Modelnr. W8312R212, fits in W8312 hexagon cassette.

See the table of hexagon bolt and nut sizes and related thread diameters on page 216.