

# Torqueleader Dial Measuring Torque Wrench 'CDS' Model

CDS 400 S model covers range of 80 to 400 N.m (60 to 300 lbf.ft.)

## Double ended ratcheting spindle

The CDS model is fitted with a double ended ratcheting spindle as standard, allowing torque to be measured in both clockwise and anti-clockwise directions.

## Square drive

The CDS 400 S features a 3/4" square drive.

## Overload protection

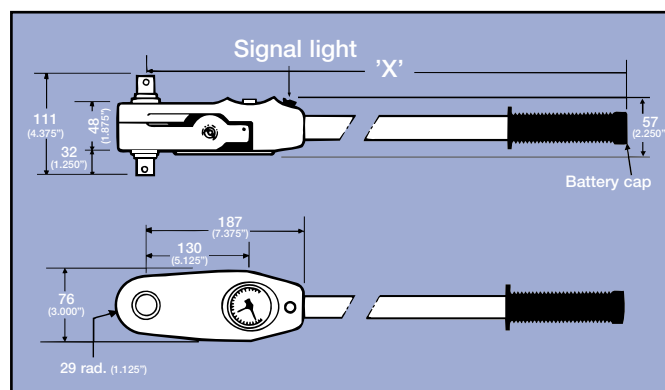
Fitted with overload protection and shock absorbing mechanism for higher torque values.

## Audio/visual signal

Audio/Visual signal alerts the operator when the required torque is reached.



This CDS wrench is being used on the Landing Gear of a Boeing 747 aircraft.



The preferred and certified ranges of these tools is in accordance and exceeds the requirements of ISO 6789:1992. (Accuracy +/- 4% of reading).

Model	Ordering Code	Calibrated Range Dual Scale				Ratchet in	mm		in		kg		lb		Signal
		Range ISO	Graduation	Range Imperial	Graduation		mm	in	mm	in	kg	lb			
CDS 400S	010520	80 – 400 N.m	10 N.m	60 – 300 lbf.ft	10 lbf.ft	3/4	111	4.38	710	27.95	3.15	6.94	●		