

▼ Shown from left to right: RSM-1000, RSM-300, RSM-50, RCS-1002, RCS-302



Maximum Power to Height Ratio



Saddles

All RCS-Series cylinders have plunger mounting holes for installation of tilt saddles. See table for selection and dimensional information.

Page: 23



Low Clearance Lifting

The LW-16 Lifting Wedge and SOH-Series Machine Lifts are the perfect choices for lifting loads that have low clearance.

Page: 165

RSM-Series, Flat-Jac® Cylinders

- Compact, flat design for use where other cylinders will not fit
- RSM-750, 1000 and 1500 have handles for easy carrying
- Mounting holes permit easy fixturing
- Baked enamel finish for increased corrosion resistance
- CR-400 coupler and dust cap included on all models*
- Hard chrome plated high-quality steel plungers
- Grooved plunger ends require no saddle
- Single-acting spring return

RCS-Series, Low Height Cylinders

- Lightweight, low profile design for use in confined spaces
- Baked enamel finish for increased corrosion resistance
- Plunger wiper reduces contamination, extending cylinder life
- CR-400 coupler and dust cap included on all models
- Grooved plunger end with threaded holes for mounting tilt saddles
- Integral handle on RCS-1002 for easy carrying
- Plated steel plungers
- Single-acting spring return

▼ Only a couple of inches are needed for an RSM-cylinder to lift this large steel construction.

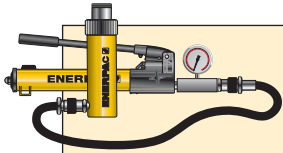


| Cylinder Capacity | Stroke | Model Number | Cyl. Effect. Area | Oil Cap. |
|-------------------|--------|--------------|--------------------|--------------------|
| (tons) [max.] | (in) | | (in ²) | (in ³) |
| 5 [4.9] | .25 | RSM-50* | .99 | .25 |
| 10 [11.2] | .44 | RSM-100 | 2.24 | .98 |
| 20 [22.1] | .44 | RSM-200 | 4.43 | 1.94 |
| 30 [32.4] | .50 | RSM-300 | 6.49 | 3.25 |
| 50 [48.1] | .63 | RSM-500 | 9.62 | 6.01 |
| 75 [79.5] | .63 | RSM-750 | 15.90 | 9.94 |
| 100 [98.1] | .63 | RSM-1000 | 19.63 | 12.27 |
| 150 [153.4] | .63 | RSM-1500 | 30.68 | 19.17 |
| 10 [11.2] | 1.50 | RCS-101** | 2.24 | 3.35 |
| 20 [22.1] | 1.75 | RCS-201** | 4.43 | 7.75 |
| 30 [32.4] | 2.44 | RCS-302** | 6.49 | 15.82 |
| 50 [48.1] | 2.38 | RCS-502** | 9.62 | 22.85 |
| 100 [98.1] | 2.25 | RCS-1002** | 19.63 | 44.18 |

* RSM-50 is fitted with an AR-400 coupler.

** Available as a set. See note on next page.

Single-Acting, Low Height Cylinders



Pump and Cylinder Sets

All cylinders marked with an ** are available as sets (cylinder, gauge, couplers, hose and pump) for your ordering convenience.

Page: 58

RSM RCS Series



Capacity:

5-150 tons

Stroke:

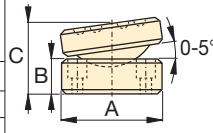
.25-2.44 inches

Maximum Operating Pressure:

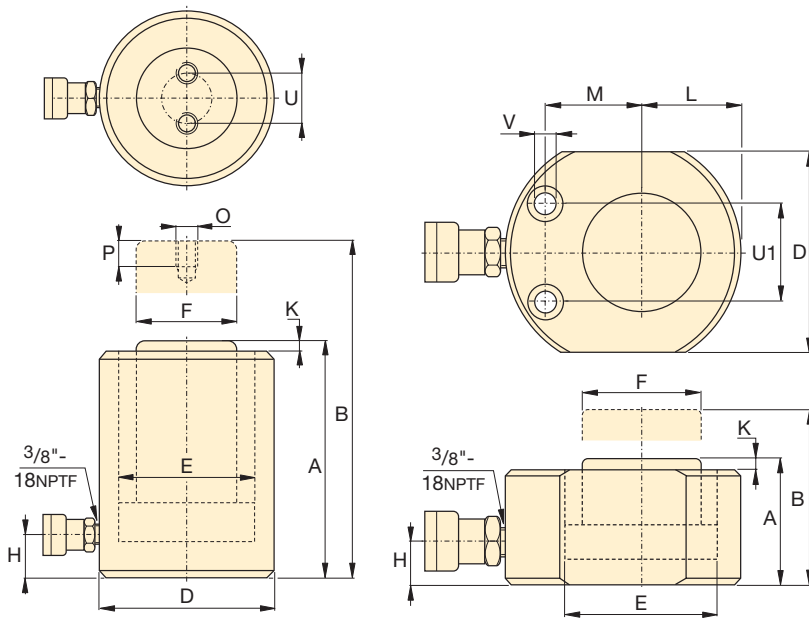
10,000 psi

Optional Bolt On Tilt Saddle Dimensions (in)

| For cylinder model: | Model Number | A | B | C* |
|---------------------|--------------|------|-----|------|
| RCS-101 | CAT-11 | 1.38 | .43 | .83 |
| RCS-201, -302, -502 | CAT-51 | 1.97 | .59 | 1.14 |
| RCS-1002 | CAT-101 | 2.80 | .67 | 1.39 |



* "C" dimension equals saddle protrusion from plunger. Mounting screws are included.



RCS-Series

RSM-Series

* 5° angle position of coupler on RCS-101, 201, 302.

RSM Cylinder Mounting Hole Dimensions (in)

| Model Number | Hole Pitch U1 | Hole Diam. V | Counter Bore Diam. | Counter Bore Depth |
|--------------|---------------|--------------|--------------------|--------------------|
| RSM-50 | 1.12 | .20 | .312 | .17 |
| RSM-100 | 1.44 | .28 | .422 | .31 |
| RSM-200 | 1.94 | .40 | .594 | .39 |
| RSM-300 | 2.06 | .40 | .625 | .44 |
| RSM-500 | 2.62 | .47 | .750 | .50 |
| RSM-750 | 3.00 | .53 | .812 | .56 |
| RSM-1000 | 3.00 | .53 | .812 | .56 |
| RSM-1500 | 4.62 | .53 | .812 | .56 |

| Collapsed Height | Extended Height | Outside Diameter | Cylinder Bore Diameter | Plunger Diameter | Base to Advance Port | Plunger Protrusion from Base | Plunger to Base | Plunger to Mtg. Hole | Thread | Thread Depth | Bolt Circle | Weight | Model Number |
|------------------|-----------------|------------------|------------------------|------------------|----------------------|------------------------------|-----------------|----------------------|--------|--------------|-------------|--------|--------------|
| A (in) | B (in) | D (in) | E (in) | F (in) | H (in) | K (in) | L (in) | M (in) | O (mm) | P (in) | U (in) | (lbs) | |
| 1.28 | 1.53 | 2.31 x 1.63 | 1.13 | 1.00 | .63 | .04 | .81 | .88 | - | - | - | 2.3 | RSM-50* |
| 1.69 | 2.13 | 3.25 x 2.19 | 1.69 | 1.50 | .75 | .04 | 1.09 | 1.34 | - | - | - | 3.1 | RSM-100 |
| 2.03 | 2.47 | 4.00 x 3.00 | 2.38 | 2.00 | .75 | .04 | 1.56 | 1.56 | - | - | - | 6.8 | RSM-200 |
| 2.31 | 2.81 | 4.63 x 3.75 | 2.88 | 2.50 | .75 | .08 | 1.88 | 1.75 | - | - | - | 10 | RSM-300 |
| 2.63 | 3.25 | 5.50 x 4.50 | 3.50 | 2.75 | .75 | .08 | 2.25 | 2.13 | - | - | - | 15 | RSM-500 |
| 3.13 | 3.75 | 6.50 x 5.50 | 4.50 | 3.25 | .75 | .08 | 2.75 | 2.63 | - | - | - | 25 | RSM-750 |
| 3.38 | 4.00 | 7.00 x 6.00 | 5.00 | 3.63 | .75 | .08 | 3.00 | 2.94 | - | - | - | 32 | RSM-1000 |
| 3.94 | 4.56 | 8.50 x 7.50 | 6.25 | 4.50 | .94 | .08 | 3.75 | 3.25 | - | - | - | 58 | RSM-1500 |
| 3.47 | 4.97 | 2.75 | 1.69 | 1.50 | .69 | .20 | - | - | M4 | .32 | 1.03 | 9 | RCS-101** |
| 3.88 | 5.63 | 3.63 | 2.38 | 2.00 | .69 | .13 | - | - | M5 | .32 | 1.57 | 11 | RCS-201** |
| 4.63 | 7.06 | 4.00 | 2.88 | 2.62 | .75 | .13 | - | - | M5 | .32 | 1.57 | 15 | RCS-302** |
| 4.81 | 7.19 | 4.88 | 3.50 | 2.75 | .94 | .08 | - | - | M5 | .32 | 1.57 | 24 | RCS-502** |
| 5.56 | 7.81 | 6.50 | 5.00 | 3.63 | 1.25 | .06 | - | - | M8 | .40 | 2.17 | 50 | RCS-1002** |